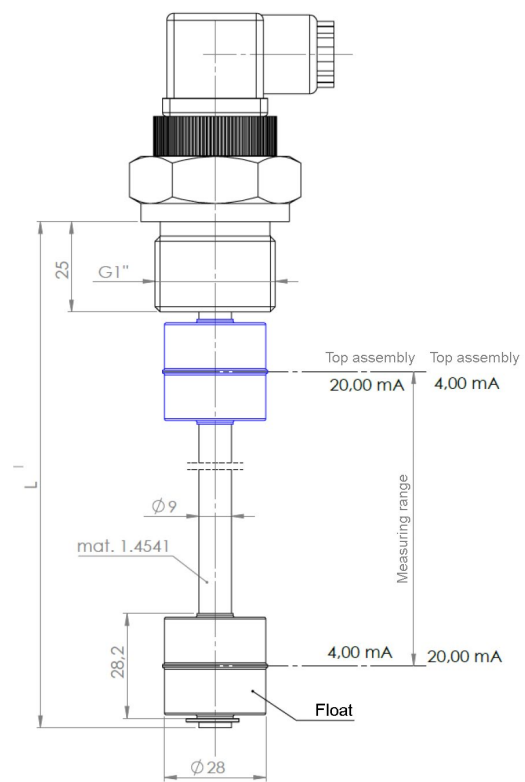


Float level probe LIM-1

Technical description

Characteristic
– liquid level senso
– sensor mounting method: top or bottom
– housing made of stainless steel 1.4541
– quick and easy assembly
Measurement range
(4 ÷ 20) mA
Accuracy
± 1 cm - depends on the density (g) of the liquid; g min > 0.45 g/cm3
Electrical connection
socket + plug GSP
Process connection
G1" thread or other
Max. liquid temperature
60°C or other
Power supply
24 V DC (28 V DC max.)
Installation method
vertical



Ordering example

Float level probe LIM-1