

Humidity and temperature transmitter **RHT Climate WM/DM**

Technical description

Characteristic

- temperature and humidity measurement
- additional measurement values: dew point temperature, wet thermometer temperature, absolute humidity, freezing point temperature, enthalpy, partial pressure pas, mixture proportions
- high accurate and measuring stability
- wall or duct assembly
- various lengths of the measuring probe [mm]: 150, 250, 400
- backlit display LCD 4½
- keyboard for navigation and parameter adjustment
- ABS housing, IP65
- two digital alarm outputs and one built-in buzzer
- communication: USB MicroB 2.0 and RS485 (Modbus RTU)

Measuring range

- temperature: (-40 ÷ 100) °C (DM)
- temperature: (-40 ÷ 60) °C (WM)
- humidity: (0 ÷ 100) % RH (without condensation)
- dew point: (-90 ÷ 100) °C

Accuracy

- humidity: ±1.8 %RH @ 23 °C (0 ÷ 90) % RH
- temperature: ±0.4°C (0 to 60°C)
- temperature resolution: 0.1 °C, 14 bit
- humidity resolution: 0.1%, 12 bit
- temperature response time: 5 s (for flow 1 m/s)
- humidity response time: 4 s (for flow 1 m/s)
- sampling time: 3 s

Output

- two outputs (0 ÷ 10) V or (4 ÷ 20) mA configured using dedicated software or manual keyboard
- two digital alarm outputs AL1, AL2

Power

(12 ÷ 30) V DC, 70 mA max

Housing

- ABS material, IP65
- PG7 gland

Working conditions

- temperature: (-10 ÷ 65) °C
- humidity: below 95% RH without condensation

Dimensions (WM i DM)

100,3 x 80,0 x 45,1 mm

Software

- NXperience

Additional options

- RS485, Modbus RTU
- LCD backlit display

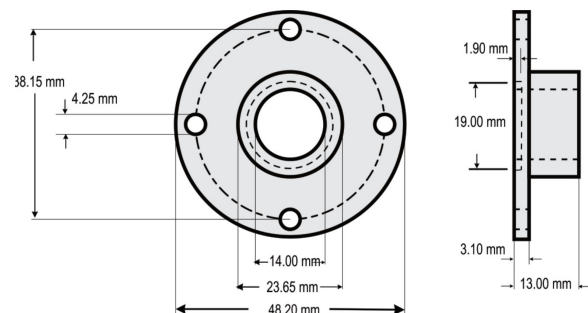
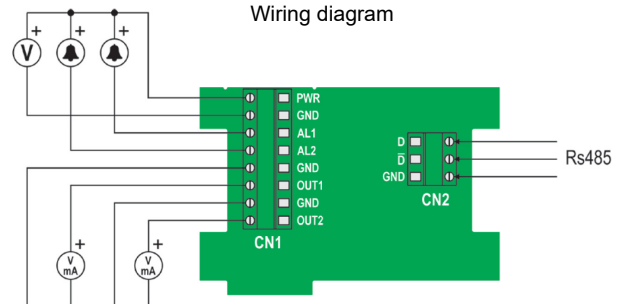
Model WM



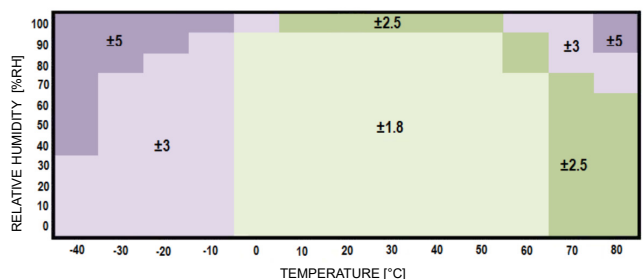
Model DM



Wiring diagram



Flange dimension for DM



Accuracy: relative humidity

Ordering code

Humidity and temperature transmitter	RHT Climate WM – ...
Output:	
standard	0
RS485	RS485
LCD-RS485	LCD-RS485

Ordering example

Humidity and temperature transmitter RHT Climate–WM–0

Humidity and temperature transmitter	RHT Climate DM – ... – ...
Measuring probe length:	
150 mm	150
250 mm	250
400 mm	400
Output:	
standard	0
RS485	RS485
LCD-RS485	LCD-RS485

Ordering example

Humidity and temperature transmitter RHT Climate–DM–250–RS485