

Temperature transmitter is an integral element of temperature sensor, available also as a separate component. It converts temperature sensor signal to analogue 4÷20mA, voltage 0÷10V or different signal. Transmitter can be placed directly in connection head or on TS-35mm rail.

### Specification

#### Characteristic

- universal transmitter
- accurate calibration
- mounting in connection head BA: LLT-01
- mounting on a 35 mm rail: LTT-01T
- with HART Communication Protocol: LTT-01–H, LTT-01T–H
- intrinsically safe ATEX II 1G Exi a IIC T6

#### Input

RTD: Pt100, Pt500, Pt1000  
 Ni: Ni100, Ni500, Ni1000  
 TC: L, J, U, T, K, E, N, S, R, B, D, C

#### Output

4÷20 mA and 20÷4 mA

#### Measuring range

Pt100 -200÷850°C 2-, 3-, 4-wire  
 Pt500, Pt1000 -200÷250°C  
 Ni -60÷250°C; Ni100, Ni500, Ni1000 -60÷150°C  
 TC for given thermocouples acc. to operating range

#### Range span

min. 10°C for resistance inputs  
 min. 50°C for types: L, J, U, T, K, E, N  
 min. 500°C for remaining types

#### Accuracy

resistance inputs ≤0,1% of range  
 TC inputs < 0,2% of range

#### Zero point adjustment

in full range

#### Response time

< 1 s

#### Galvanic isolation

galvanically isolated output and input  
 test voltage 3, 73 kV

#### Max. loop resistance

$R_{l \max} = (U_{\text{supply}} - 8) / 0,022 \text{ } [\Omega]$

#### Lead wire connection

<1,75 mm<sup>2</sup>

#### Power supply

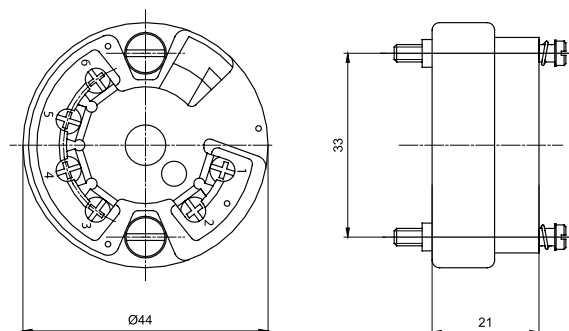
8÷35V DC  
 8÷30V DC for Ex version

#### Operating conditions

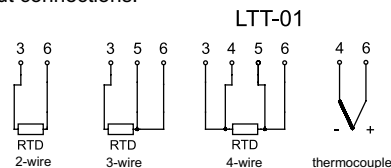
temperature: -40÷85°C  
 humidity: ≤95% RH



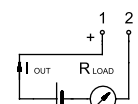
### CONNECTION SCHEMES



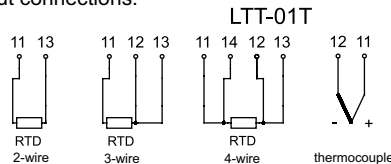
#### Input connections:



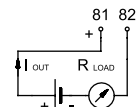
#### Output connections:



#### Input connections:



#### Output connections:



**Product code**

		<b>Transmitters version</b>	
1		<b>no designation</b>	head mounted
		<b>T</b>	35mm rail mounted
		<b>Type</b>	
		<b>no designation</b>	standard
		<b>H</b>	HART protocol
2		<b>Ex</b>	intrinsically safe
		<b>H-Ex</b>	intrinsically with HRT protocol (only LT-01)
		<b>Temperature range</b>	
3		<b>(0÷100)°C</b>	(0÷100)°C
			other parameters acc. to requirements
		<b>Input type</b>	
		<b>Pt100</b>	Pt100
		<b>J</b>	J
		<b>K</b>	K
		<b>L</b>	L
		<b>N</b>	N
4		<b>T</b>	T
			other parameters acc. to requirements
		<b>RTD connection</b>	
		<b>2</b>	2 - wire
5		<b>3</b>	3 - wire
		<b>4</b>	4 - wire
		<b>Equipment</b>	
6		<b>A</b>	with adapter for 35mm rail mounting for LTT-01

1      2      3      4      5      6

LTT0-1  -  -  -  -  -

Ordering example:

**Transmitters LTT-01-(0÷100)°C-Pt100/3p**